



**Modular Cooking Range Line**  
**thermaline 90 - 1000 mm Ref-freezer**  
**Base with 2 drawers, 1 Side, H=550**  
**(R290)**

ITEM # \_\_\_\_\_

MODEL # \_\_\_\_\_

NAME # \_\_\_\_\_

SIS # \_\_\_\_\_

AIA # \_\_\_\_\_



589680 (MC6HDAJOB0)

Ref-Freezer Base with 2  
drawers, one-side operated  
- R290

### Short Form Specification

**Item No.** \_\_\_\_\_

Refrigerated base with 2 drawers, able to operate both as refrigerator or freezer, with temperature range from -22°C to +8°C. Constructed according to 1.4301 (AISI 304) with anti-tilt runners accepting GN 1/1 containers. CFC and HCFC free, highly ecological refrigerant type: R290 (ecological gas in foam: cyclopentane). Hydrocarbon refrigerant gas R290 for the lowest environmental impact (GWP=3), to reduce green house and ozone depletion effects. Flat surface construction, easily cleanable. Large digital white-digit soft touch display. Handles ergonomically designed with embedded hygienic silicon "soft" grip enable easier handling and cleaning. Connectivity ready.  
IPX3 water resistance certification.  
Configuration: One-side operated freestanding base.

### Main Features

- Two Drawer Refrigerated/Freezer Base with built-in compressor unit.
- Unit able to operate both as refrigerator or as freezer, with temperature range from -22°C to +8°C.
- Suitable for use in ambient temperatures of up to 40 °C.
- Designed for modular installation into the cooking block.
- All major components may be easily accessed from the front.
- Each drawer to accommodate one GN 1/1 container max 150 mm high.
- Magnetic snap-in drawer gaskets are removable for cleaning.
- Forced air circulation for rapid cooling and an even temperature distribution.
- Unit may be installed on castors.
- Connectivity ready for real time access to connected appliances from remote and data monitoring (requires optional accessory).
- Unit constructed according to DIN 18860\_2 with 70 mm recessed plinth.
- Perforated top surface and bottom plate for a better air circulation.
- Handles are ergonomically designed with silicon "soft" grip for easy handling and cleaning.

### Construction

- Large digital white-digit display with soft touch buttons.
- Constructed in Stainless steel with Scotch Brite finish to meet the highest hygiene standards.
- Built-in compressor to suit operating conditions.
- IPX3 protected.

### Sustainability



- CFC and HCFC free, highly ecological refrigerant type: R290 (ecological gas in foam: cyclopentane). Hydrocarbon refrigerant gas R290 for the lowest environmental impact (GWP=3), to reduce green house and ozone depletion effects.

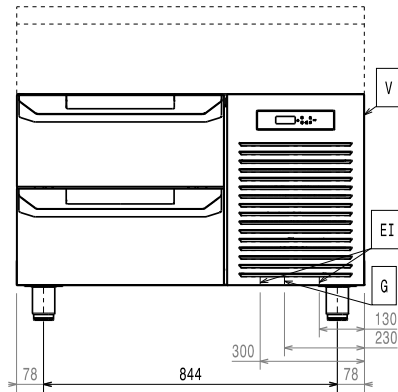
### Optional Accessories

APPROVAL: \_\_\_\_\_

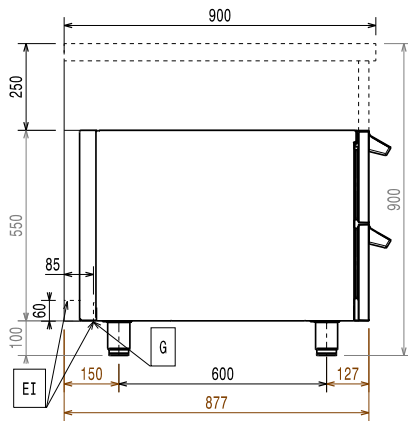


Experience the Excellence  
[www.electroluxprofessional.com](http://www.electroluxprofessional.com)

Front

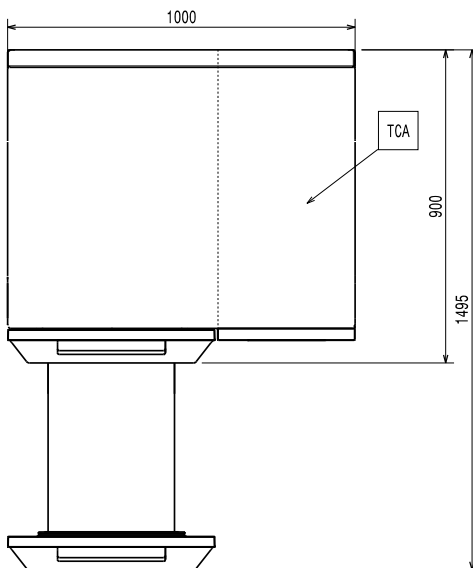


Side



EI = Electrical inlet (power)

Top



### Electric

**Supply voltage:**

589680 (MC6HDAJOB0) 220-240 V/1N ph/50 Hz

**Electrical power max.:**

0.48 kW

**Total Watts:**

0.48 kW

### Key Information:

**Gross capacity:**
**External dimensions, Width:** 1000 mm

**External dimensions, Depth:** 900 mm

**External dimensions, Height:** 550 mm

**Net weight:** 130 kg

**N° of drawers:** 2

### Refrigeration Data

**Compressor power:**
**Operating temperature min.:** 8 °C

**Operating temperature max.:** -22 °C

**Defrost type:** Electric

### Sustainability

**Current consumption:** 3.6 Amps

**Refrigerant type:** R290

**Refrigeration power:** 0 W

**Refrigerant weight:** 85 g